

General purpose batteries

4 and 6 volt range

A large number of manufacturers are shrinking their product range by dropping the lower capacity models in general and the 6 volt batteries in particular. However, pbq has a full series of 6 volt models available for a wide range of applications and intends to keep this range in production for many years to come. These batteries have been designed for a functional life of 4-5 years at an operating temperature of 25°C in a standby application.

Typical applications are:

- toys
- household appliances
- sensors
- small UPS systems
- integrated emergency power supplies
- telecommunication equipment
- garden tools

Terminals

These batteries are equipped with Faston 187 connectors although some are available with the 250 Faston in OEM quantities. For those requiring small volumes, an adapter that converts the Faston 187 to Faston 250 is available upon request.

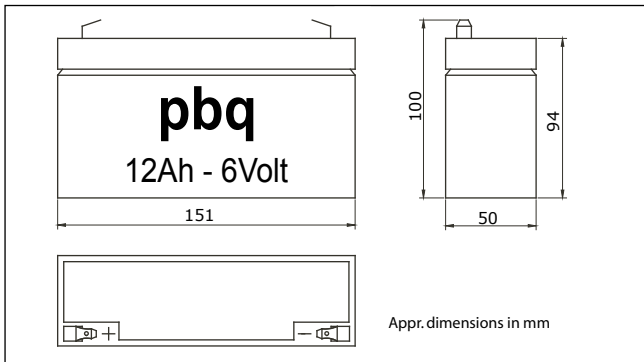
Quality Control

All pbq batteries are being made against ISO 9001 and UL quality control standards. On top of this, batteries are inspected again using a method of statistical analyses before shipment from the central warehouses to local customers and distribution partners. We at pbq understand that a defective battery can mean loss of data, customers and increased service cost, all 'features' you can do without!

Models available

Model pbq...	Capacity in Ah	Voltage	Dimensions(±2mm) (LxWxH1/H2)	Weight
3.5-4	3,5	4	91x35x61/64mm	490gr
1.2-6	1,2	6	97x24x52/58mm	310gr
3.2-6	3,2	6	134x34x61/67mm	650gr
3.5-6	3,5	6	194x25x50/56mm	620gr
4.5-6	4,5	6	47x70x101/107mm	770gr
7-6	7,0	6	151x34x94/100mm	1,2kg
12-6	12,0	6	151x50x94/100mm	2,0kg

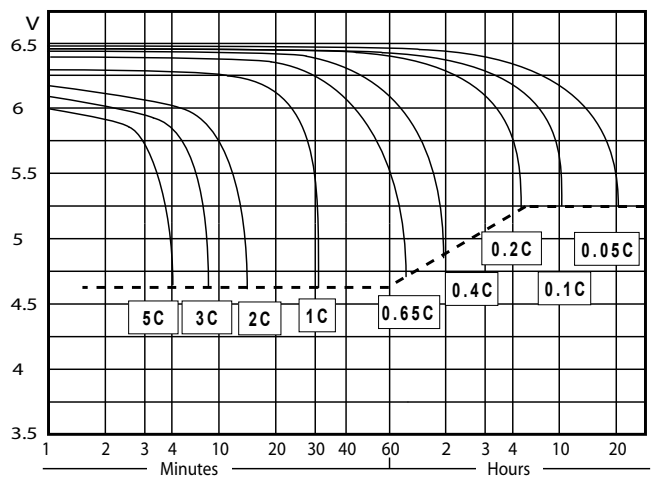
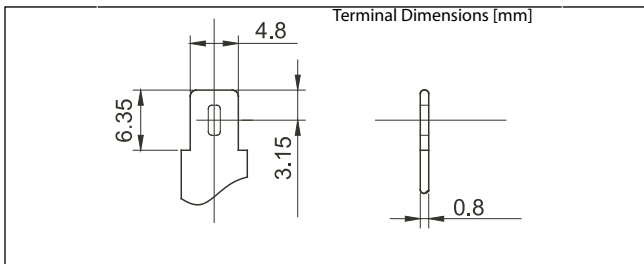
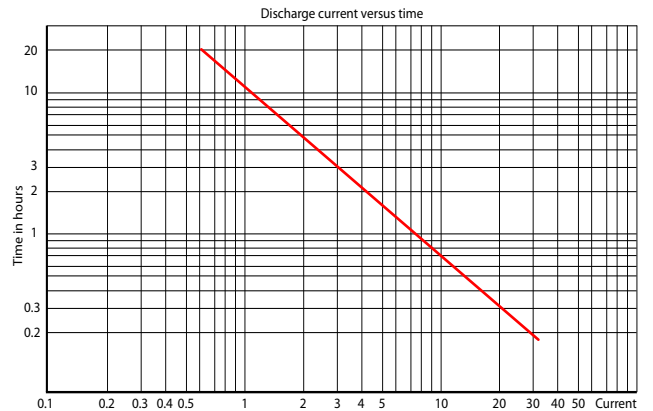




Voltage	: 6 Volt
Capacity	: 12Ah
Appr. dimensions	: 151x50x94/100mm (LxWxH) (±2mm)
Terminal	: Faston 187
Container & lid	: ABS
Approximate weight	: 2.0kg
Certificate(s)	: CE, UL

- Typical Applications:**
- Toys
 - Household appliances
 - Communication equipment
 - Garden tools
 - Flash lights
 - Sensors
 - Measurement devices

Capacity	
20 hour rate (600mA)	: 12.0Ah
10 hour rate (1.15A)	: 11.5Ah
5 hour rate (2.02A)	: 10.1Ah
1 hour rate (7.8A)	: 7.8Ah
Internal Resistance (fully charged) : 10 mOhm	
Capacity versus temperature	
40°C	: 102%
25°C	: 100%
0°C	: 85%
-15°C	: 65%
Max. discharge current : 180A (5 sec)	
Charge at 25°C (constant voltage)	
Maximum charge current 4.8A	
Float use: 6.8 - 6.9 Volt. -10mV/°C	
Cyclic use: 7.25 - 7.45 Volt. -15mV/°C	



Discharge data watt/battery

	Discharge time	5 min	10 min	15 min	30 min	1 hr	3 hr	5 hr	10 hr	20 hr
End Voltage	5,40	199,2	136,2	111,6	65,7	51	40,2	25,29	17,28	11,46
	5,25	215,1	146,4	119,4	69,3	54	41,4	26,43	18	11,88
	5,10	231,3	156,9	127,5	73,5	57	43,2	27,51	18,66	12,3
	4,95	247,5	167,1	135,3	77,7	60	45,3	28,47	19,26	12,78
	4,80	264	177,6	143,1	80,4	63	46,8	29,34	19,8	13,11