

2 Volt SC Series

The SC (Single Cell) or monoblock series is made of individual cells each providing 2 Volt. By combining multiple cells, batteries of nearly every voltage and capacity can be made. Depending on the capacity of the cell, one, two or four connection points for the positive and negative connections are available.

Due to the flexible design, the final shape of the battery can be adapted to the space available. Since the cells can be placed in any direction, creating a system with all connections on the front enables easy checking of individual cell voltages and the torque of the connections.

General Features

- Absorbent Glass Mat (AGM) technology.
- No electrolyte maintenance or water to be added.
- Not restricted for air transport, complies with IATA/ICAO Special Provision A67.
- UL-recognized components used.
- Can be mounted in any orientation.
- Computer designed lead - calcium - tin alloy grid for high power density.
- Long service life, float or cyclic applications.
- Low self discharge.
- Flame retardant ABS, UL94V-0 / 92-2.
- Cell interconnectors and covers included.

The **pbq** SC-series is designed for a functional life of 13 years under float conditions at 25°C in accordance with the **EUROBAT** specifications or 15 years at 20°C.

Solar Systems

With more and more emphasis on the high cost of fossil fuels, solar systems are gaining more importance day by day. The pbq SC series has been proven to be very suitable for both municipal and private applications due to its excellent charge acceptance, long functional life and compact size.

The SC-series has been built and tested to live up to the most demanding applications in the fields of:

- Telecommunications.
- UPS systems.
- Emergency power supplies.
- Solar application.
- Pumping systems in firefighting applications etc.

Features

- High Reliability and Good Quality.
- Deep Discharge Recovery.
- High Power Density.
- Long Service Life, in Float or Cyclic.
- International Standard, JIS and DIN.



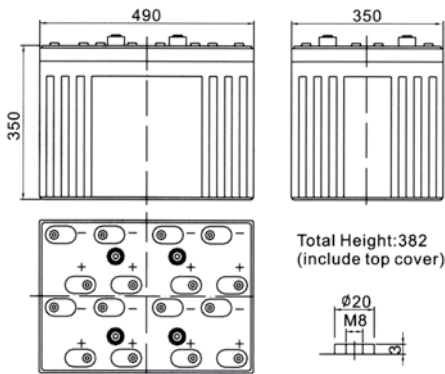
Interconnectors are supplied with all cells.



pbq SC-500, 2Volt - 500Ah with cover installed.



Please ask your pbq distributor for the complete range of racks for the SC-Series.



Voltage : 2 Volt
 Capacity : 2000Ah
 Dimensions (LxWxH): 490x350x382mm
 Terminal : Copper M8 Insert
 Container & lid : Flame retardant ABS
 UL94V-0 / 92-2
 Standby design life : 15 years at 20°C
 Approximate weight : 129kg
 Certificate(s) : CE

Capacity

100 hour rate (23.9A)	: 2390Ah
10 hour rate (200A)	: 2000Ah
5 hour rate (353A)	: 1765Ah
1 hour rate (1186A)	: 1186Ah
15 min. rate (2918A)	: 730Ah

Operating temp. range : -15°C ~ +50°C

Self discharge:(remaining capacity @ 25°C)

3 months	: 91%
6 months	: 82%
12 months	: 65%

Internal Resistance (fully charged) : 0.12mOhm

Capacity versus temperature

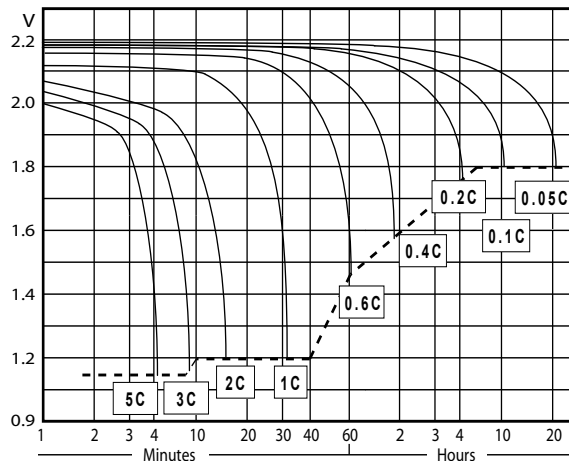
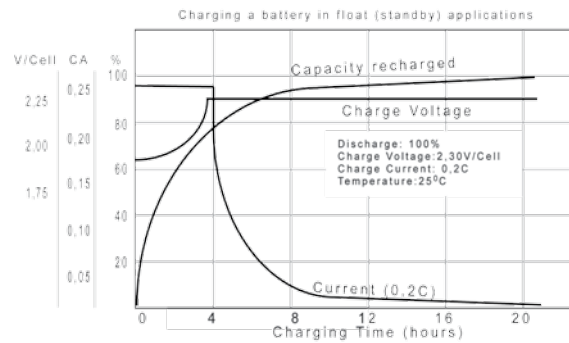
40°C	: 102%
25°C	: 100%
0°C	: 85%
-15°C	: 65%

Max. discharge current : 11.000A (5sec)

Charge (constant voltage)
 Maximum charge current 400A
 Float use: 2.23 - 2.30 Volt. -20mV/°C
 Cyclic use: 2.40 - 2.50 Volt. -30mV/°C

Typical Applications:

- Backup power for:
 - Hospitals
 - Telecommunication systems
 - Computer systems
- Off-shore applications
- Trains, metro and related signaling equipment
- Fire control systems
- Solar energy systems



Constant Power Discharge Data (Ampère @ 25°C)

	Discharge Time	10min	15min	30min	45min	1h	3h	5h	10h	100h
End Voltage	1.80V	3082	2351	1612	1342	1044	486	350	200	23.9
	1.75V	3299	2511	1721	1421	1102	508	363	205	25.0
	1.70V	3507	2655	1791	1482	1157	529	374	209	28.7
	1.65V	3734	2812	1882	1565	1210	548	384	212	20.9
	1.60V	3934	2951	1969	1632	1246	566	393	214	21.5