

**2 Volt SC Series**

The SC (Single Cell) or monoblock series is made of individual cells each providing 2 Volt. By combining multiple cells, batteries of nearly every voltage and capacity can be made. Depending on the capacity of the cell, one, two or four connection points for the positive and negative connections are available.

Due to the flexible design, the final shape of the battery can be adapted to the space available. Since the cells can be placed in any direction, creating a system with all connections on the front enables easy checking of individual cell voltages and the torque of the connections.

**General Features**

- Absorbent Glass Mat (AGM) technology.
- No electrolyte maintenance or water to be added.
- Not restricted for air transport, complies with IATA/ICAO Special Provision A67.
- UL-recognized components used.
- Can be mounted in any orientation.
- Computer designed lead - calcium - tin alloy grid for high power density.
- Long service life, float or cyclic applications.
- Low self discharge.
- Flame retardant ABS, UL94V-0 / 92-2.
- Cell interconnectors and covers included.

The **pbq** SC-series is designed for a functional life of 13 years under float conditions at 25°C in accordance with the **EUROBAT** specifications or 15 years at 20°C.

**Solar Systems**

With more and more emphasis on the high cost of fossil fuels, solar systems are gaining more importance day by day. The pbq SC series has been proven to be very suitable for both municipal and private applications due to its excellent charge acceptance, long functional life and compact size.

The SC-series has been built and tested to live up to the most demanding applications in the fields of:

- Telecommunications.
- UPS systems.
- Emergency power supplies.
- Solar application.
- Pumping systems in firefighting applications etc.

**Features**

- High Reliability and Good Quality.
- Deep Discharge Recovery.
- High Power Density.
- Long Service Life, in Float or Cyclic.
- International Standard, JIS and DIN.



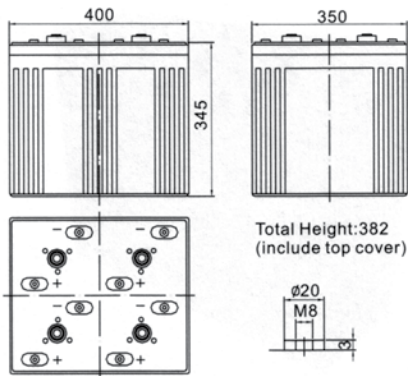
Interconnectors are supplied with all cells.



pbq SC-500, 2Volt - 500Ah with cover installed.



Please ask your pbq distributor for the complete range of racks for the SC-Series.



Voltage : 2 Volt  
 Capacity : 1500Ah  
 Dimensions (LxWxH): 400x350x345/382mm  
 Terminal : Copper M8 Insert  
 Container & lid : Flame retardant ABS  
 UL94V-0 / 92-2  
 Standby design life : 15 years at 20°C  
 Approximate weight : 98kg  
 Certificate(s) : CE

Capacity  
 100 hour rate (17.7A) : 1770Ah  
 10 hour rate (150A) : 1500Ah  
 5 hour rate (265A) : 1325Ah  
 1 hour rate (889A) : 889Ah  
 15 min. rate (2189A) : 547Ah

Operating temp. range : -15°C ~ +50°C

Self discharge:(remaining capacity @ 25°C)  
 3 months : 91%  
 6 months : 82%  
 12 months : 65%

Internal Resistance (fully charged) : 0.16mOhm

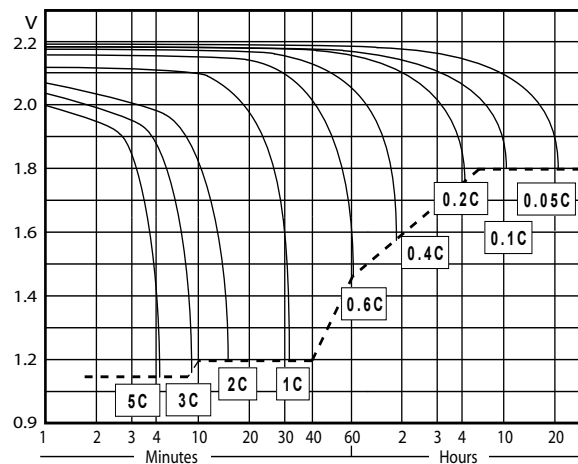
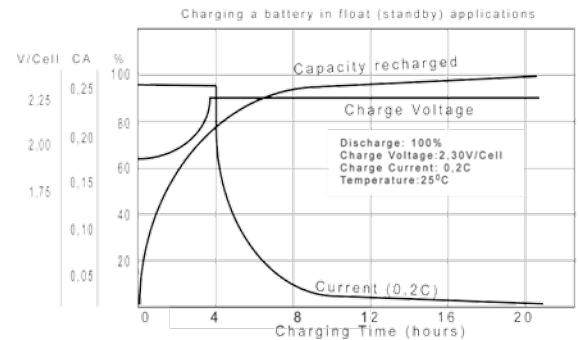
Capacity versus temperature  
 40°C : 102%  
 25°C : 100%  
 0°C : 85%  
 -15°C : 65%

Max. discharge current : 9000A (5Sec)

Charge (constant voltage)  
 Maximum charge current 300A  
 Float use: 2.23 - 2.30 Volt. -20mV/°C  
 Cyclic use: 2.40 - 2.50 Volt. -30mV/°C

**Typical Applications:**

- Backup power for:
  - Hospitals
  - Telecommunication systems
  - Computer systems
- Off-shore applications
- Trains, metro and related signaling equipment
- Fire control systems
- Solar energy systems



Constant Power Discharge Data (Ampère @ 25°C)

|             | Discharge Time | 10min | 15min | 30min | 45min | 1h  | 3h  | 5h  | 10h | 100h |
|-------------|----------------|-------|-------|-------|-------|-----|-----|-----|-----|------|
| End Voltage | 1.80V          | 2131  | 1640  | 1221  | 938   | 795 | 350 | 262 | 150 | 17.7 |
|             | 1.75V          | 2285  | 1745  | 1294  | 989   | 833 | 366 | 270 | 153 | 16.8 |
|             | 1.70V          | 2436  | 1848  | 1365  | 1039  | 870 | 381 | 276 | 157 | 16.5 |
|             | 1.65V          | 2583  | 1950  | 1433  | 1087  | 900 | 395 | 282 | 159 | 16.3 |
|             | 1.60V          | 2724  | 2048  | 1500  | 1132  | 930 | 408 | 288 | 161 | 16.2 |