

LITHIUM BATTERY

Primary lithium batteries ER2286

**3.6V Primary lithium-thionyl chloride
(Li-SOCl₂) Energy type
bobbin cell**

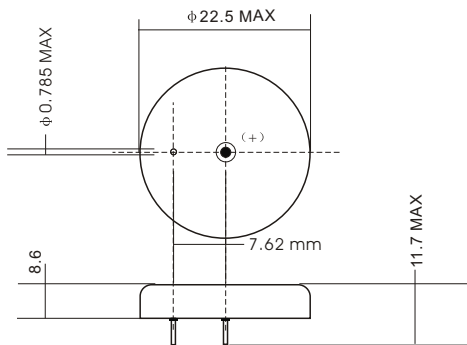
For low drain / long time applications requesting superior voltage response in -40°C~+125°C environments.

Cell size references

Electrical characteristics (typical values relative to cells stored for one year or less at +30°C max.)		
Nominal capacity (at 0.5mA +20°C 2.0V cut off. The capacity restored by the cell varies according to current drain, temperature and cut off).		0.55Ah
Open circuit voltage (at +20°C)		3.66V
Nominal voltage (at 0.5mA +20°C)		3.6V
Pulse capability: Typically up to 20 mA (1 mA/0.1 second pulses, drained every 2 mn at +20°C from undischarged cells with 10 μA base current, yield voltage readings above 3.0V. The readings may vary according to the pulse characteristics, the temperature, and the cell' s previous history. Fitting the cell with a capacitor may be recommended in severe conditions. Consult pbq)		
Max. Continuous current		10mA
Max. Pulse current		20mA
Storage (recommended) (for more severe conditions, consult pbq)		+30°C max
Operating temperature range (Operation above ambient T may lead to reduced capacity and lower voltage readings at the beginning of pulses. Consult pbq)		-40°C / +125°C
Physical characteristics		
Diameter (max)		22.5mm(0.9 in)
Height (max)		8.6mm(0.34 in)
Typical weight		10.5g(0.187oz)

LITHIUM BATTERY

ER2286



Unit:mm

Key features

- ▶ High and stable operating voltage
- ▶ Superior drain capability
- ▶ Low self-discharge rate (less than 1% after 1 year of storage at +20°C)
- ▶ Hermetic glass-to-metal sealing
- ▶ Notch technology for safety vent is recommended
- ▶ Non-flammable electrolyte

Main applications

- ▶ Radiocommunication and other military applications
- ▶ Alarms and security systems
- ▶ Beacons and emergency location transmitters
- ▶ GPS
- ▶ Metering systems
- ▶ Sonobuoys
- ▶ LED lighting applications
- ▶ Others

Storage

- ▶ The storage area should be clean, cool (not exceeding +30°C), dry and ventilated.

Warning

- ▶ Do not use if the battery casing was mangled.
- ▶ Don't use different models of battery in series.
- ▶ Do not try to recharge.

Characteristic curves

